

1 2 3 4 5 6 7 8

A

B

## KIT contain below Parts

| Sr.No | Description                        | Part number                 | Page No | Qty  | UOM |
|-------|------------------------------------|-----------------------------|---------|------|-----|
| 1     | Rugged Ethernet switch             | RJSMLAC-8EMG-CAPS           | 2       | 1.00 | EA  |
| 2     | Cable assembly for power supply    | RJSMLAC-8MG-CBL-PWR-2M-B4   | 3-4     | 1.00 | EA  |
| 3     | Cable assembly for Management port | RJSMLAC-8MG-CBL-MNG-1M      | 5-6     | 1.00 | EA  |
| 4     | Cable assemblies for LAN ports     | RJSMLAC-8MG-CBL-ETH-RJ45-2M | 7-8     | 4.00 | EA  |

IN THE CONSTANT PURPOSE OF IMPROVING ITS PRODUCTS, Amphenol Socapex RESERVES THE RIGHT TO MODIFY ANY DIMENSION OR CHARACTERISTICS.  
 FM.NPD.0076.THYEZ.PUNE rev B

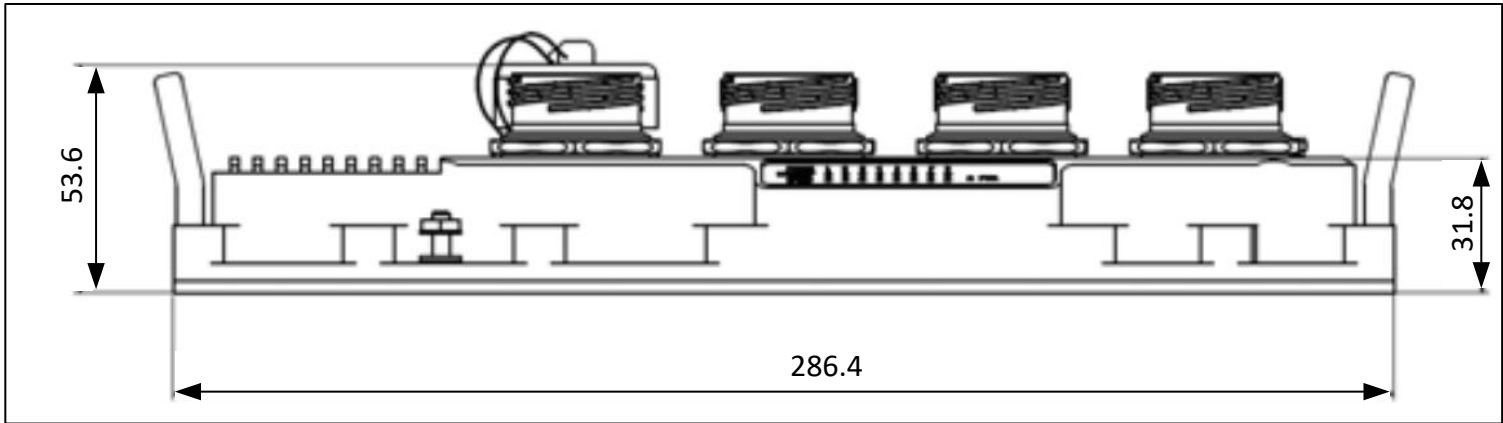
F

F

|   |          |                                       |  |                                |   |
|---|----------|---------------------------------------|--|--------------------------------|---|
| LAST CHANGE :<br>-  |          | KIT RJSMLAC-8EMG-CAPS                 |  |                                |   |
| <small>APPROVAL FOR MANUFACTURING</small><br>Add missing specifications on the drawing if necessary (specific labellings, tolerances,...) |          | DRAWN BY :<br>Prasad M                | UPDATED BY :<br>Deepak J                             | LAST APPROVED BY :<br>Nikhil W |   |
| CUSTOMER :<br>PROGRAM :<br>Name : _____ Date : _____<br>CUSTOMER SIGNATURE  | ASF<br>- | ALL DIMENSIONS ARE IN MM<br>SCALE : / | <b>AMPHENOL SOCAPEX</b><br>B.P. 29 74311 THYEZ CEDEX |                                | ORIGINAL DRAWING DATE :<br>12-11-2021<br>REV : C<br>CONFIGURATION DATA ARE AVAILABLE IN PDM<br>PAGE : 1/8 |
|   |          |                                       |  |                                | 191-PLC-974-00  |

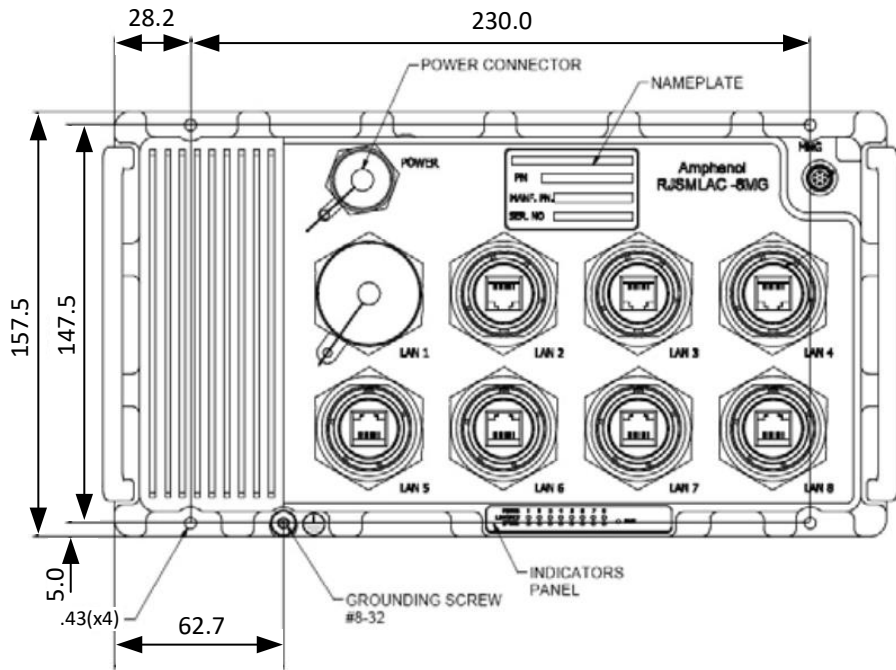
1 2 3 4 5 6 7 8

| Ethernet Switch Description |   |
|-----------------------------|---|
| Part number                 | RJSMLAC-8EMG-CAPS   |
| Description                 | Managed Rugged Ethernet switch - 8 Gigabit ports  |
| Standards                   | MIL-STD-1275, MIL-STD-704A, MIL-STD-461E, MIL-STD-810F GM, IP67/68, MIL-F-18870-E, MIL-STD-167-1A, MIL-S-901D |
| Input Voltage               | 24Vdc Nominal (18-32VDC)  |



Pic A

**RJSMLAC-8EMG-CAPS**  
(For Dimensions refer Pic A,B)



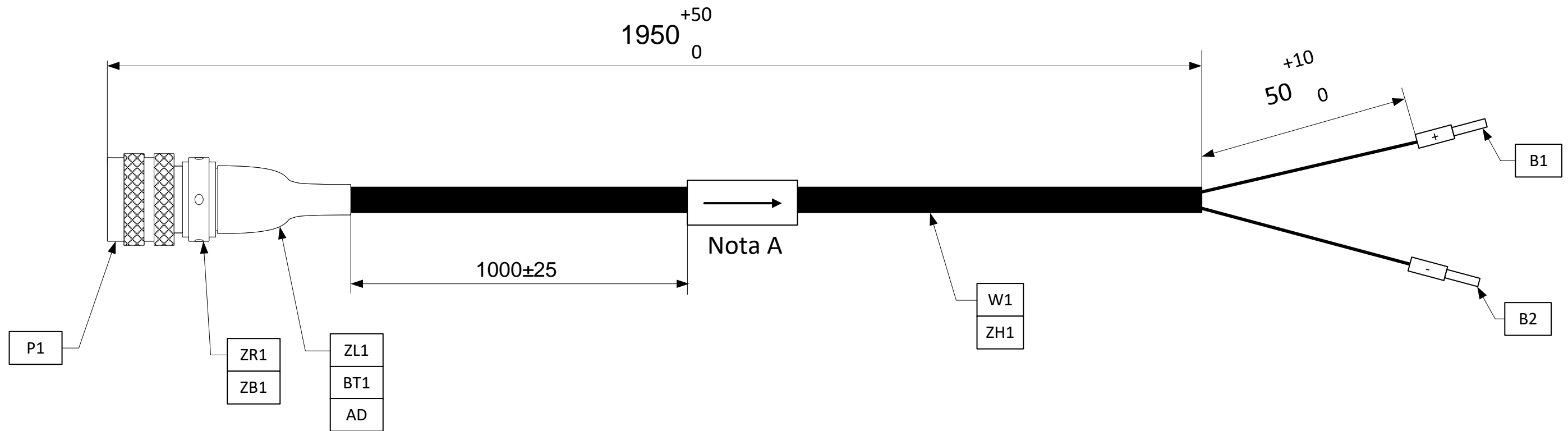
Pic B

IN THE CONSTANT PURPOSE OF IMPROVING ITS PRODUCTS, Amphenol Socapex RESERVES THE RIGHT TO MODIFY ANY DIMENSION OR CHARACTERISTICS. FM.NPD.0076.THYEZ.PUNE rev B

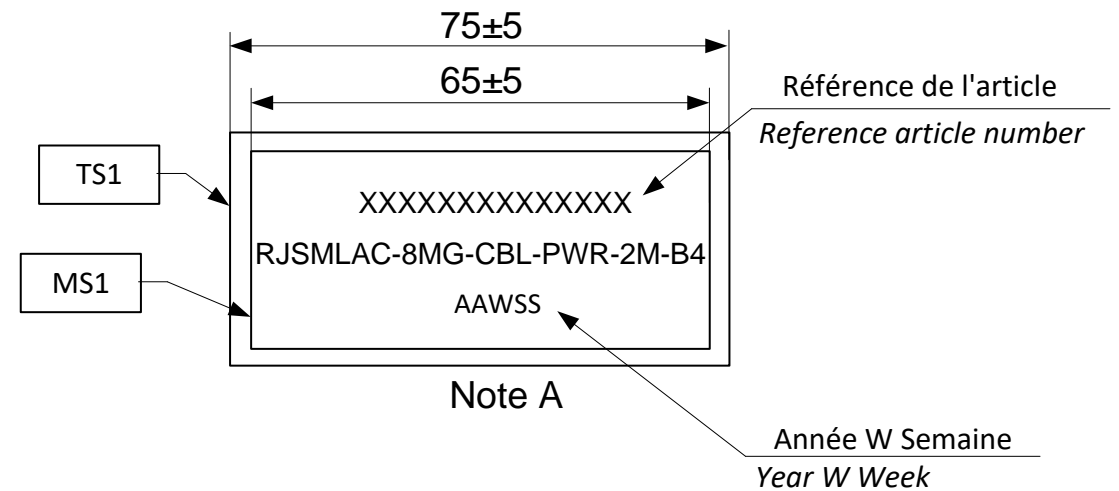
Note:  
1. The caps are not all shown.  
*Les bouchons ne sont pas tous représentés.*

|  |              |                          |   |                             |                                    |   |
|--|--------------|--------------------------|---|-----------------------------|------------------------------------|---|
| LAST CHANGE :  |              | KIT RJSMLAC-8EMG-CAPS    |   |                             |                                    |   |
| -  |              |                          |   |                             |                                    |   |
| APPROVAL FOR MANUFACTURING<br>Add missing specifications on the drawing if necessary (specific labellings, tolerances,...) |              | DRAWN BY : Prasad M      | UPDATED BY : Deepak J                         | LAST APPROVED BY : Nikhil W |                                    |   |
| CUSTOMER : ASF   | PROGRAM : -  | ALL DIMENSIONS ARE IN MM | AMPHENOL SOCAPEX<br>B.P. 29 74311 THYZE CEDEX |                             | ORIGINAL DRAWING DATE : 12-11-2021 | CONFIGURATION DATA ARE AVAILABLE IN PDM |
| NAME : _____   | DATE : _____ |                          |   |                             | SCALE : /                          | REV : C                                 |
| CUSTOMER SIGNATURE   |              |                          |   |                             | 191-PLC-974-00                     |   |

# Cable assembly for power supply : RJSMLAC-8MG-CBL-PWR-2M-B4



## Label



### Notes:

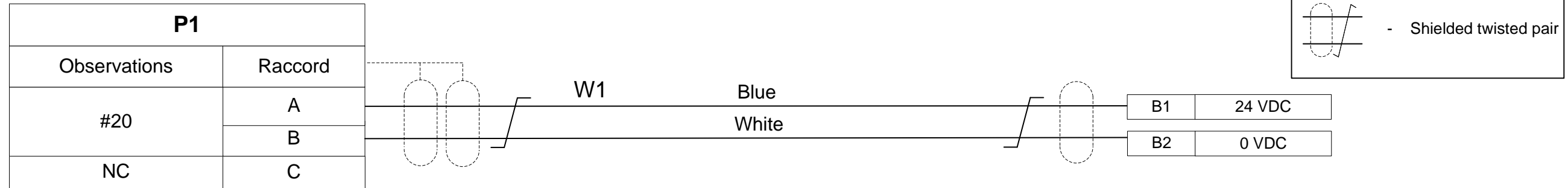
- All dimensions are in millimeter.  
Les cotes sont en millimètre.
- Continuity & insulation resistance test on each S/N.  
Test de continuité & résistance d'isolement sur chaque S/N.
- Packed in sealed bag  
Emballé dans un sac étanche.
- Plugs B1 and B2 have same length.  
Les fiches B1 et B2 ont la même longueur.
- Assemble cable ASSY I.A.W IPC/WHMA-a-620 Class 3 Specification  
Assemblez le câble ASSY I.A.W IPC / WHMA-a-620 Classe 3 Spécification
- Put 1 drop of thread locking compound Loctite 222 on the threaded area of the connector before tightening the backshell  
Mettez 1 goutte de Loctite 222 sur la zone fileté du connecteur avant de serrer la coque arrière.

IN THE CONSTANT PURPOSE OF IMPROVING ITS PRODUCTS, AMPHENOL SOCAPEX RESERVES THE RIGHT TO MODIFY ANY DIMENSION OR CHARACTERISTICS. FM.NPD.0076.THYEZ.PUNE rev B

|  |                    |                                       |  |                                |  |
|--|--------------------|---------------------------------------|--|--------------------------------|--|
| LAST CHANGE :<br>-   |                    | <b>KIT RJSMLAC-8EMG-CAPS</b>          |  |                                |  |
| APPROVAL FOR MANUFACTURING<br>Add missing specifications on the drawing if necessary (specific labellings, tolerances,...) |                    | DRAWN BY :<br>Prasad M                | UPDATED BY :<br>Deepak J                             | LAST APPROVED BY :<br>Nikhil W |  |
| CUSTOMER :<br>PROGRAM :<br>Name :<br>Date :  | ASF<br>-<br>Date : | ALL DIMENSIONS ARE IN MM<br>SCALE : / | <b>AMPHENOL SOCAPEX</b><br>B.P. 29 74311 THYZE CEDEX |                                | ORIGINAL DRAWING DATE :<br>12-11-2021                            |
| CUSTOMER SIGNATURE   |                    |                                       |  |                                | CONFIGURATION DATA ARE AVAILABLE IN PDM<br>REV : C<br>PAGE : 3/8 |
| 191-PLC-974-00   |                    |                                       |  |                                |  |

# Cable assembly for power supply : RJSMLAC-8MG-CBL-PWR-2M-B4

## Wiring diagram



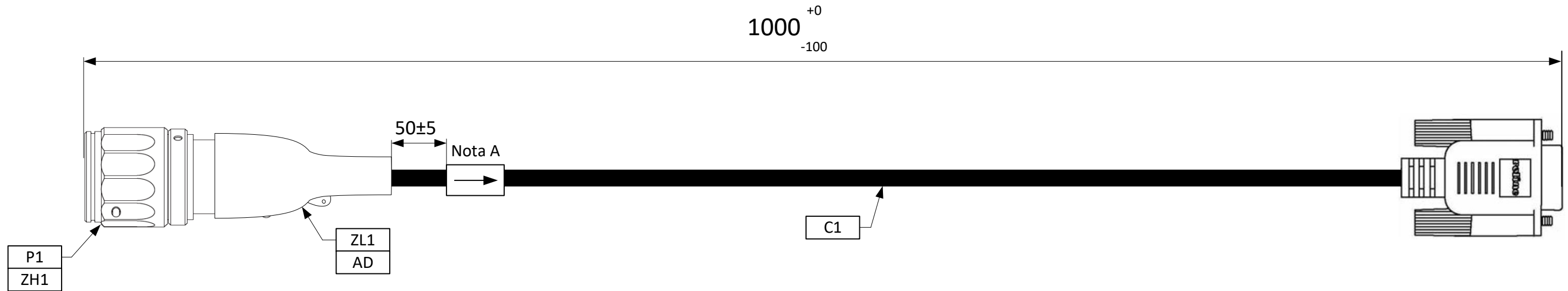
## Bill of material

| Sr no | Designation | Component type | Manufacturer Part number                | Manufacturer | Unit Qty | UOM |
|-------|-------------|----------------|---|--------------|----------|-----|
| 1     | P1          | Connector      | D38999/26WA98SA                         | Amphenol     | 1.00     | EA  |
| 2     | B1          | Banana plug    | FK15S RED                               | Schützinger  | 1.00     | EA  |
| 3     | B2          | Banana plug    | FK15S BLK                               | Schützinger  | 1.00     | EA  |
| 4     | ZR1         | Backshell      | TV35091008014                           | Amphenol     | 1.00     | EA  |
| 5     | BT1         | Band Tie       | M85049/128-3 or equivalent              | Glenair      | 1.00     | EA  |
| 6     | ZB1         | Braid          | TB13-T-63 or Any suitable size          | Tyco         | 0.10     | M   |
| 7     | ZL1         | Boot           | 202K121-25-0 or Any suitable size       | Tyco         | 1.00     | EA  |
| 8     | W1          | Wire           | KU05-20                                 | Nexans       | 2.00     | M   |
| 9     | ZH1         | HST            | DR25 1/4-0M or Any suitable size        | Tyco         | 2.00     | M   |
| 10    | MS1         | HST            | RNF100 1/4-YELLOW or Any suitable size  | Tyco         | 0.07     | M   |
| 11    | TS1         | HST            | RNF100 1/4 -TRANSP or Any suitable size | Tyco         | 0.08     | M   |
| 12    | AD          | Adhesive       | S1125-KIT8                              | Tyco         | 0.10     | EA  |

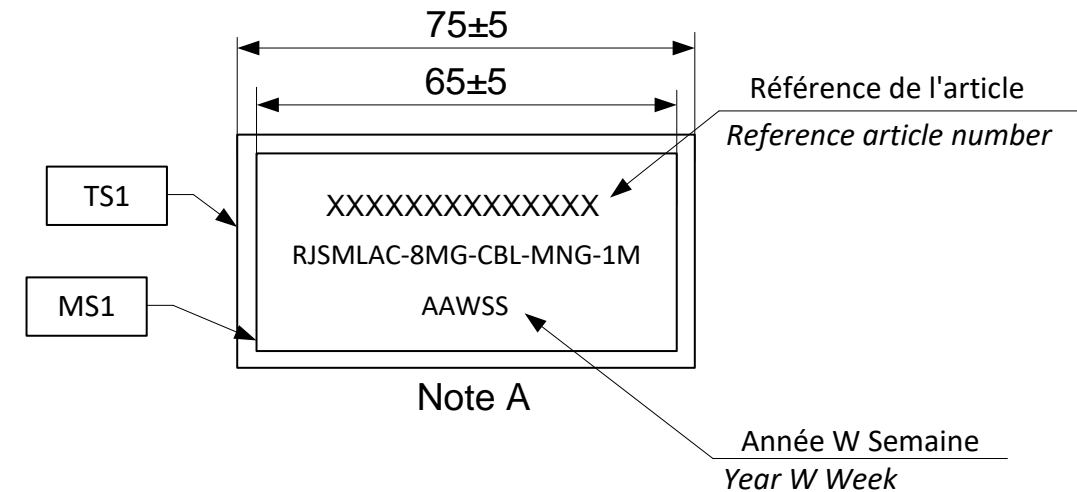
IN THE CONSTANT PURPOSE OF IMPROVING ITS PRODUCTS, Amphenol Socapex RESERVES THE RIGHT TO MODIFY ANY DIMENSION OR CHARACTERISTICS. FM.NPD.0076.THYEZ.PUNE rev B

|  |             |                              |  |                             |                                    |
|--|-------------|------------------------------|--|-----------------------------|------------------------------------|
| LAST CHANGE :  |             | <b>KIT RJSMLAC-8EMG-CAPS</b> |  |                             |                                    |
| APPROVAL FOR MANUFACTURING<br>Add missing specifications on the drawing if necessary (specific labellings, tolerances,...) |             | DRAWN BY : Prasad M          | UPDATED BY : Deepak J                                | LAST APPROVED BY : Nikhil W |                                    |
| CUSTOMER : ASF   | PROGRAM : - | ALL DIMENSIONS ARE IN MM     | <b>AMPHENOL SOCAPEX</b><br>B.P. 29 74311 THYZE CEDEX |                             | ORIGINAL DRAWING DATE : 12-11-2021 |
| NAME :   | DATE :      |                              |  |                             | REV : C                            |
| CUSTOMER SIGNATURE   |             | SCALE : /                    |  |                             | PAGE : 4/8                         |
|  |             |                              |  | 191-PLC-974-00              |                                    |

# Cable assembly for management port : RJSMLAC-8MG-CBL-MNG-1M



## Label



- Notes:
- All dimensions are in millimeter.  
*Les cotes sont en millimètre.*
  - Continuity & insulation resistance test on each S/N.  
*Test de continuité & résistance d'isolement sur chaque S/N.*
  - Packed in sealed bag  
*Emballé dans un sac étanche.*
  - Use HST (ZH1) over solder contacts at P1 end.  
*Utilisez HST (ZH1) sur les contacts de soudure à l'extrémité P1.*
  - Do not terminate the cable shield over P1 Connector.  
*Ne terminez pas le blindage du câble sur le connecteur P1.*
  - Assemble cable ASSY I.A.W IPC/WHMA-a-620 Class 3 Specification  
*Assemblez le câble ASSY I.A.W IPC / WHMA-a-620 Classe 3 Spécification*

IN THE CONSTANT PURPOSE OF IMPROVING ITS PRODUCTS, AMPHENOL SOCAPEX RESERVES THE RIGHT TO MODIFY ANY DIMENSION OR CHARACTERISTICS. FM.NPD.0076.THYEZ.PUNE rev B

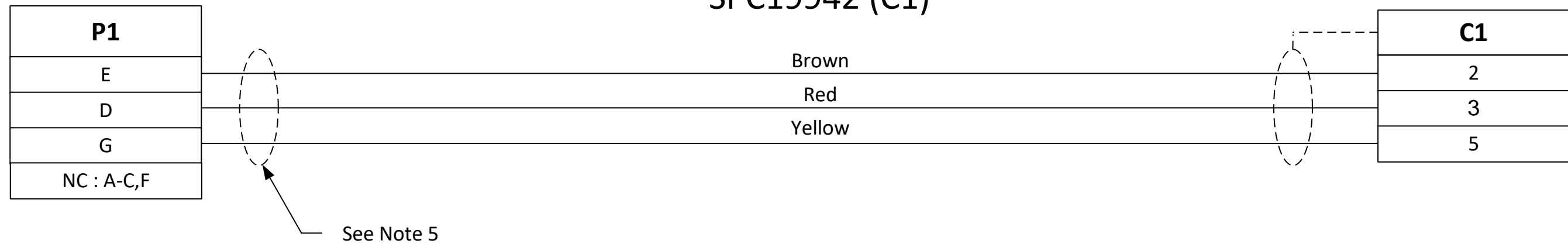
|  |                    |                              |  |                                |                                       |
|--|--------------------|------------------------------|--|--------------------------------|---------------------------------------|
| LAST CHANGE :<br>-   |                    | <b>KIT RJSMLAC-8EMG-CAPS</b> |  |                                |                                       |
| APPROVAL FOR MANUFACTURING<br>Add missing specifications on the drawing if necessary (specific labellings, tolerances,...) |                    | DRAWN BY :<br>Prasad M       | UPDATED BY :<br>Deepak J                             | LAST APPROVED BY :<br>Nikhil W |                                       |
| CUSTOMER :<br>ASF  | PROGRAM :<br>-     | ALL DIMENSIONS ARE IN MM     | <b>AMPHENOL SOCAPEX</b><br>B.P. 29 74311 THYZE CEDEX |                                | ORIGINAL DRAWING DATE :<br>12-11-2021 |
| NAME :<br>Date :   | CUSTOMER SIGNATURE |                              |  |                                | REV :<br>C                            |
|  |                    | SCALE : /                    |  |                                | 191-PLC-974-00                        |



# Cable assembly for management port : RJSMLAC-8MG-CBL-MNG-1M

## Wiring diagram

SPC19942 (C1)



## Bill of Material

| Sr no | Designation | Component type | Manufacturer Part number               | Manufacturer | Unit Qty | UOM |
|-------|-------------|----------------|--|--------------|----------|-----|
| 1     | P1          | Connector      | SCE2-B-L1K06-07PN                      | Amphenol     | 1.00     | EA  |
| 2     | ZL1         | Boot           | 202K121-25-0 or Any suitable size      | Tyco         | 1.00     | EA  |
| 3     | AD          | Adhesive       | S1125-KIT-8                            | Tyco         | AR       | EA  |
| 4     | C1          | Cable          | SPC19942                               | Multicomp    | 0.50     | EA  |
| 5     | MS1         | HST            | RNF100 1/4-YELLOW or Any suitable size | Tyco         | 0.07     | M   |
| 6     | TS1         | HST            | RNF100 3/8-TRANSP or Any suitable size | Tyco         | 0.08     | M   |
| 7     | ZH1         | HST            | RNF100 3/64-BLACK or Any suitable size | Tyco         | 0.03     | M   |

IN THE CONSTANT PURPOSE OF IMPROVING ITS PRODUCTS, Amphenol Socapex RESERVES THE RIGHT TO MODIFY ANY DIMENSION OR CHARACTERISTICS. FM.NPD.0076.THYEZ.PUNE rev B

LAST CHANGE :  
-

APPROVAL FOR MANUFACTURING  
Add missing specifications on the drawing if necessary (specific labellings, tolerances,...)

CUSTOMER : ASF  
PROGRAM : -  
Name : Date :  
CUSTOMER SIGNATURE

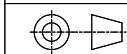
DRAWN BY : Prasad M

UPDATED BY : Deepak J

LAST APPROVED BY : Nikhil W

ALL DIMENSIONS ARE IN MM

SCALE : /



KIT RJSMLAC-8EMG-CAPS

**AMPHENOL SOCAPEX**

B.P. 29 74311 THYZE CEDEX

ORIGINAL DRAWING DATE :  
12-11-2021

CONFIGURATION DATA ARE AVAILABLE IN PDM

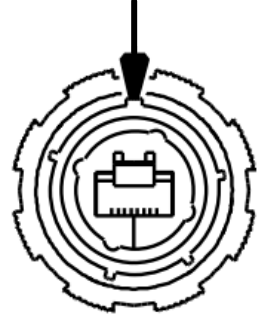
REV : C

PAGE : 6/8

191-PLC-974-00

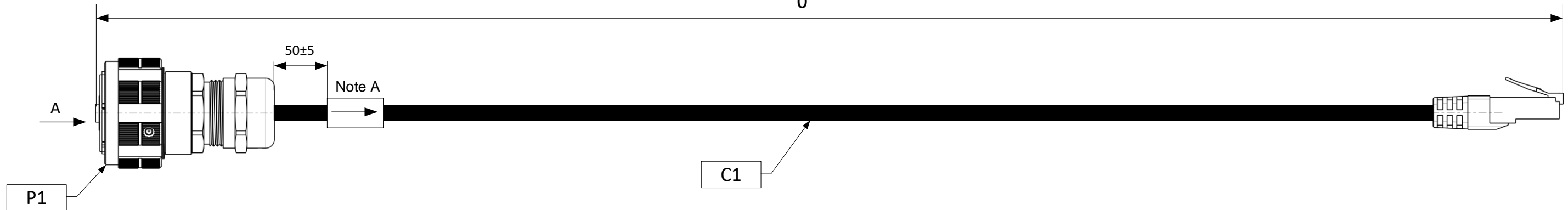
# Cable assembly for LAN ports : RJSMLAC-8MG-CBL-ETH-RJ45-2M

Clé master / Master key

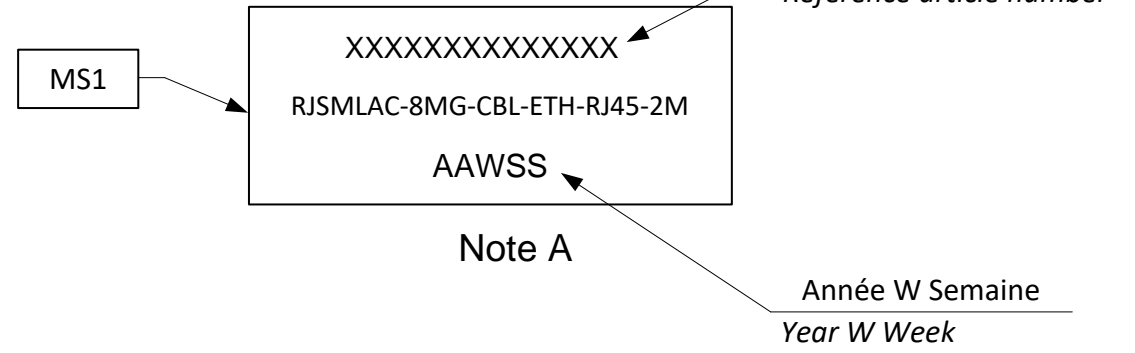


Codage A / Coding A  
Vue A / View A

2000<sup>+30</sup><sub>0</sub>



## Label



**KIT RJSMLAC-8EMG-CAPS**

- Notes:**
- All dimensions are in millimeter.  
*Les cotes sont en millimètre.*
  - Continuity & insulation resistance test on each S/N.  
*Test de continuité & résistance d'isolement sur chaque S/N.*
  - Packed in sealed bag  
*Emballé dans un sac étanche.*
  - Assemble cable ASSY I.A.W IPC/WHMA-a-620 Class 3 Specification  
*Assemblez le câble ASSY I.A.W IPC / WHMA-a-620 Classe 3 Spécification*

|  |                           |                           |                         |                       |                                       |   |            |
|--|---------------------------|---------------------------|-------------------------|-----------------------|---------------------------------------|---|------------|
| LAST CHANGE :<br>-   |                           | DRAWN BY : Prasad M       |                         | UPDATED BY : Deepak J |                                       | LAST APPROVED BY : Nikhil W             |            |
| APPROVAL FOR MANUFACTURING<br>Add missing specifications on the drawing if necessary (specific labellings, tolerances,...) |                           |                           |                         |                       |                                       |   |            |
| CUSTOMER : ASF   | PROGRAM : -               | ALL DIMENSIONS ARE IN MM  | <b>AMPHENOL SOCAPEX</b> |                       | ORIGINAL DRAWING DATE :<br>12-11-2021 | CONFIGURATION DATA ARE AVAILABLE IN PDM |            |
| CUSTOMER SIGNATURE   | Name : _____ Date : _____ |                           |                         |                       | SCALE : /                             | REV : C                                 | PAGE : 7/8 |
|  |                           | B.P. 29 74311 THYEZ CEDEX |                         | 191-PLC-974-00        |                                       |   |            |

IN THE CONSTANT PURPOSE OF IMPROVING ITS PRODUCTS, Amphenol Socapex RESERVES THE RIGHT TO MODIFY ANY DIMENSION OR CHARACTERISTICS.  
FM.NPD.0076.THYEZ.PUNE rev B

# Cable assembly for LAN ports : RJSMLAC-8MG-CBL-ETH-RJ45-2M

## Bill of material

| Sr.no. | Designation | Component type | Description                             | Manufacturer | Unit Qty | UOM |
|--------|-------------|----------------|---|--------------|----------|-----|
| 1      | C1          | Cable          | RJF SFTP 6A 0200 or any suitable length | Amphenol     | 1.00     | EA  |
| 2      | P1          | Connector      | RJFTV6MG                                | Amphenol     | 1.00     | EA  |
| 3      | MS1         | Marking Sleeve | THT-27-427 or any suitable size         | Brady        | 1.00     | EA  |

IN THE CONSTANT PURPOSE OF IMPROVING ITS PRODUCTS, Amphenol Socapex RESERVES THE RIGHT TO MODIFY ANY DIMENSION OR CHARACTERISTICS.  
FM.NPD.0076.THYEZ.PUNE rev B

|  |                    |                                |  |                                |  |   |
|--|--------------------|--------------------------------|--|--------------------------------|--|---|
| LAST CHANGE :<br>-   |                    | <b>KIT RJSMLAC-8EMG-CAPS</b>   |  |                                |  |   |
| APPROVAL FOR MANUFACTURING<br>Add missing specifications on the drawing if necessary (specific labellings, tolerances,...) |                    | DRAWN BY :<br>Prasad M         | UPDATED BY :<br>Deepak J                             | LAST APPROVED BY :<br>Nikhil W |  |   |
| CUSTOMER :<br>PROGRAM :<br>Name :<br>Date :  | ASF<br>-<br>-<br>- | ALL<br>DIMENSIONS<br>ARE IN MM | <b>AMPHENOL SOCAPEX</b><br>B.P. 29 74311 THYEZ CEDEX |                                | ORIGINAL<br>DRAWING DATE :<br>12-11-2021 | CONFIGURATION<br>DATA ARE<br>AVAILABLE IN PDM |
| CUSTOMER<br>SIGNATURE  |                    |                                |  |                                | SCALE : /                                | REV : C                                       |
|  |                    |                                |  |                                | 191-PLC-974-00                           |   |